

REFERENCE : KI0906

SIZES : U

COMPOSITION :

Main fabric : Polyester 840D Dobby 100% Polyester

Lining : Polyester 210D PU backing - 75 As internal lining.
100%polyester

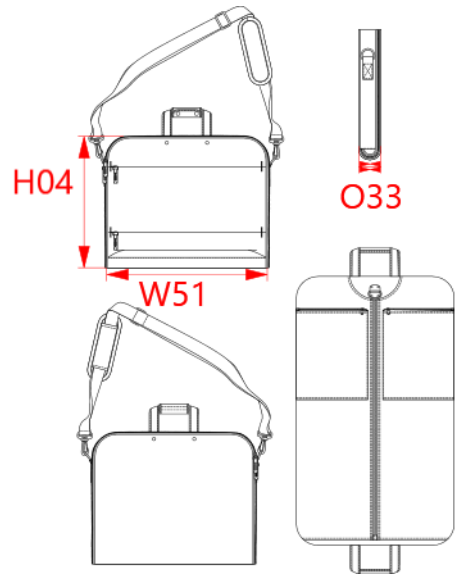
Padding : special PAD for shoulder & shoulder straps of backpacks On inside of handles pad closing shape + shoulder pad.

TECHNICAL DETAIL :

PU backing

ARTICLE WEIGHT :

800 gr/pc



DESCRIPTION	
Français : Housse de voyage	
English : Garment bag	
Nederlands : Garment bag	
Deutsch : Kleidersack	
Español : Bolsa porta trajes	
Italiano : Borsa porta abiti	
Português : Porta fatos	

COLORS	PANTONE SERIGRAPHIE
Black	Black

MEASUREMENT							
Description	U						
H04 Hauteur coté / Side length	45						
W51 Total width	55						
O33 Deep of bottom part	8						

PACKING	
Box	20 pcs / box U => L:58cm W:50cm H:45cm GW:18,2Kg NW:16Kg