



**REFERENCE :** KP533

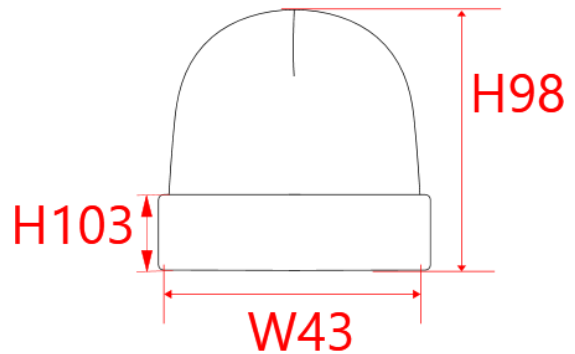
**SIZES :** U

**COMPOSITION :**

Main fabric : Viscose / Polyester / Polyamide yarn knit 52/28/20  
52%viscose/28%polyester/20%polyamide

**ARTICLE WEIGHT :**

70 gr/pc



DESCRIPTION
<b>Français :</b> Bonnet avec revers
<b>English :</b> Beanie with turn-up
<b>Nederlands :</b> Zijden muts met omslag
<b>Deutsch :</b> Umschlagmütze
<b>Español :</b> Gorro con solapas
<b>Italiano :</b> Berretto con risvolto
<b>Português :</b> Gorro em malha com dobra

COLORS	PANTONE SERIGRAPHIE
Dark grey	447C
Off grey	-
Off navy	-

MEASUREMENT							
Description	U						
<b>H98</b> Front hat height	23						
<b>W43</b> 1/2 largeur bas bonnet / 1/2 hat bottom width	19						
<b>H103</b> Height of the turn up of the hat	7						

CARE LABEL				

PACKING	
Box	100 pcs / box U => L:60cm W:40cm H:30cm GW:7.8kg NW:7kg