

# PROACT.®

REFERENCE : PA192

SIZES : XS\_S\_M\_L\_XL\_XXL\_3XL

**COMPOSITION :**

Main fabric : Polyester diamond cool dry -100 100%polyester

Lining 1 : Mesh 65 For inner top of pants & pockets sack 100% polyester

Lining : Polyester taffeta 190T - 60 For inner bottom pants 100%polyester

**WEIGHT :**

Main fabric : 100 gsm

Lining 1 : 65 gsm

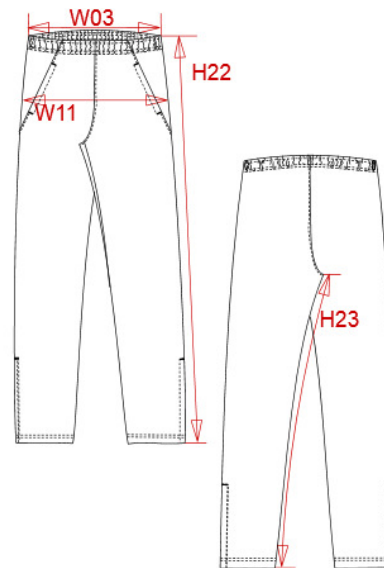
Lining : 60 gsm

**TECHNICAL DETAIL :**

Quick dry fabric

**ARTICLE WEIGHT :**

288 gr/pc



DESCRIPTION
<b>Français :</b> Pantalon de survêtement
<b>English :</b> Men's track pants
<b>Nederlands :</b> Heren trainingsbroek
<b>Deutsch :</b> HERREN TRAININGSHOSE
<b>Español :</b> Pantalón de chándal para hombre
<b>Italiano :</b> PANTALONI TUTA UOMO
<b>Português :</b> Calça de fato de treino

COLORS	PANTONE SERIGRAPHIE
Black	Black
Navy	433C

MEASUREMENT							
Description	XS	S	M	L	XL	XXL	3XL
<b>W18E (M)</b> 1/2 taille élastiquée/ 1/2 elasticated	32	34	36	38	40	42	45
<b>W11 (M)</b> 1/2 bassin / 1/2 hip width	48	51	54	57	60	63	67
<b>H22 (M)</b> Longueur côté / Side length	102,60	105,40	106,20	109	109,70	112,50	113,60
<b>H23 (M)</b> Longueur entrejambe / Inside leg length	78	80,20	80,20	82,20	82,20	84,20	84,20

CARE LABEL				

PACKING	
Box	30 pcs / box All sizes => L:60cm W:40cm H:13cm GW:4.20kg NW:3.20kg