

**REFERENCE :** KI0223

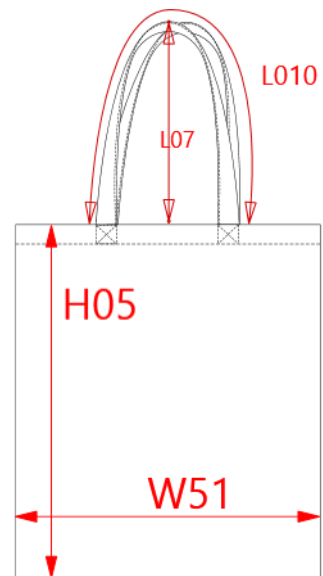
**SIZES :** U

**COMPOSITION :**

Fabric 1 : Cotton woven - 130 100%cotton

**ARTICLE WEIGHT :**

60 gr/pc



DESCRIPTION								COLORS		PANTONE SERIGRAPHIE	
<b>Français</b> : Sac shopping anses courtes								Black	Black		
<b>English</b> : Short handle shopper								Burnt lime	583C		
<b>Nederlands</b> : Short handle shopper								Natural	7534C		
<b>Deutsch</b> : Shopper mit kurzen Trageschlaufen								White	White		
<b>Español</b> : Bolsa shopper con asas cortas								Royal blue	287C		
<b>Italiano</b> : Shopper in cotone								Navy	433C		
<b>Português</b> : Saco com alça curta								Dark grey	447C		
MEASUREMENT								Red	1795C		
Description	U							Orange	1495C		
								Pink	218C		
PACKING								Turquoise	320C		
Box	200 pcs / box							Kelly green	7727C		
	U => L:45cm W:38cm H:35cm GW:13,8kg NW:12,6kg							Yellow	109C		
								Cool grey	Cool gray 1C		
								Burnt orange	1675C		
								Dark pink	494C		
								Spicy orange	1665C		
								Wine	504C		
								Cherry red	7427C		
								Magenta	205C		
								Radiant orchid	688C		
								Delphinium blue	549C		
								Pistachio green	358C		
								Light violet	666C		
								Iris blue	7545C		
								Arandano red	7622C		
								Cumin yellow	7510C		
								Marsala	4995C		
								Blue turquoise	563C		
								Dusty light green	5615C		
								Lagoon	7688C		
								Ice mint	573C		
								Curcuma	146C		
								Wet sand	7536C		